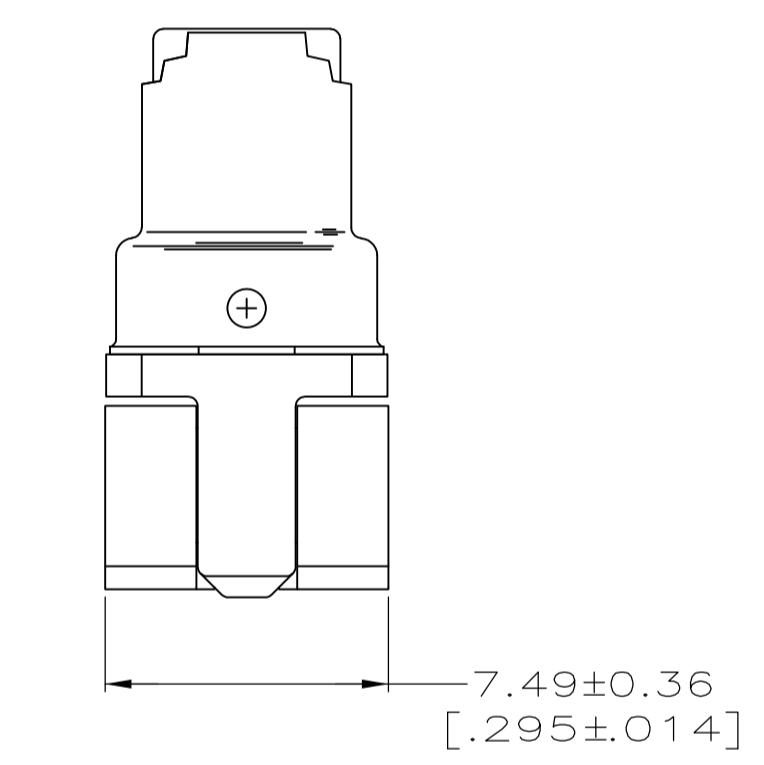
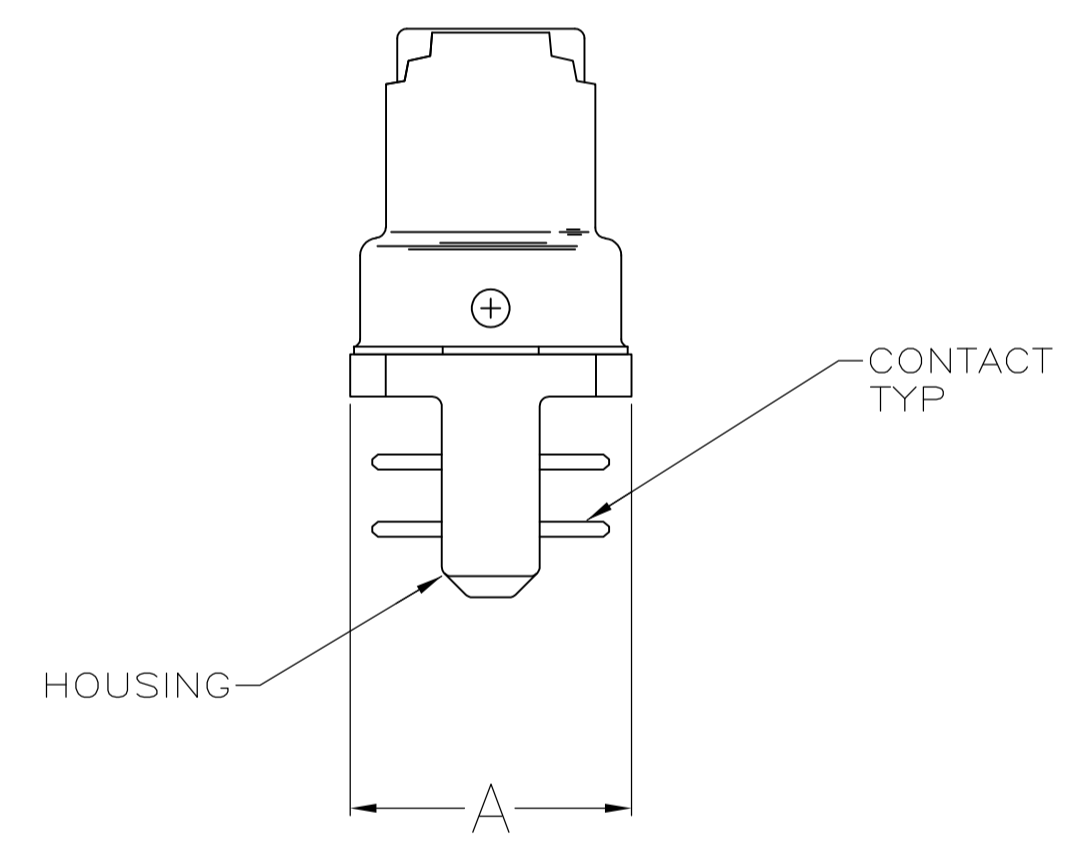
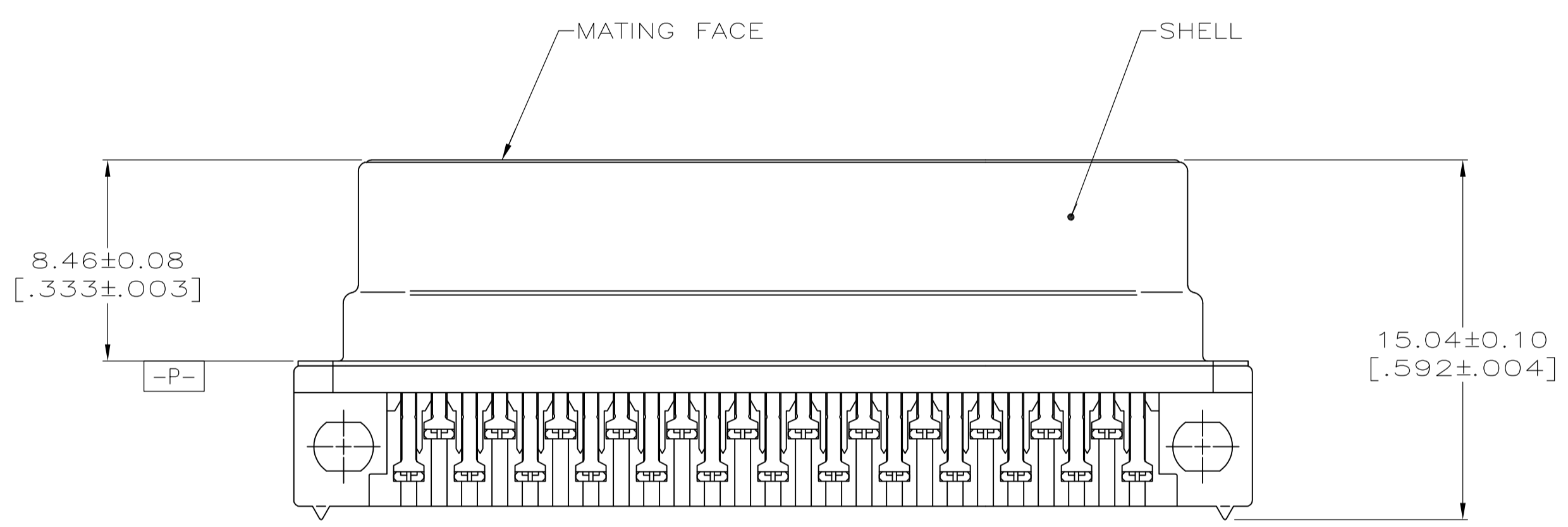
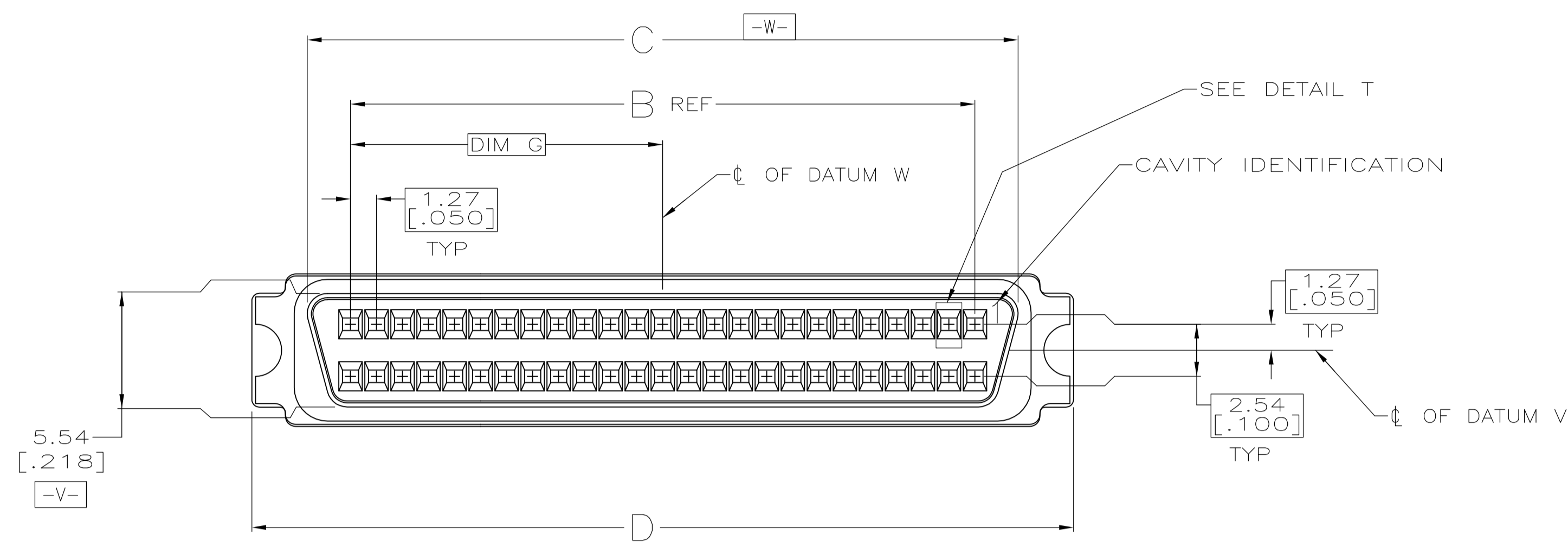
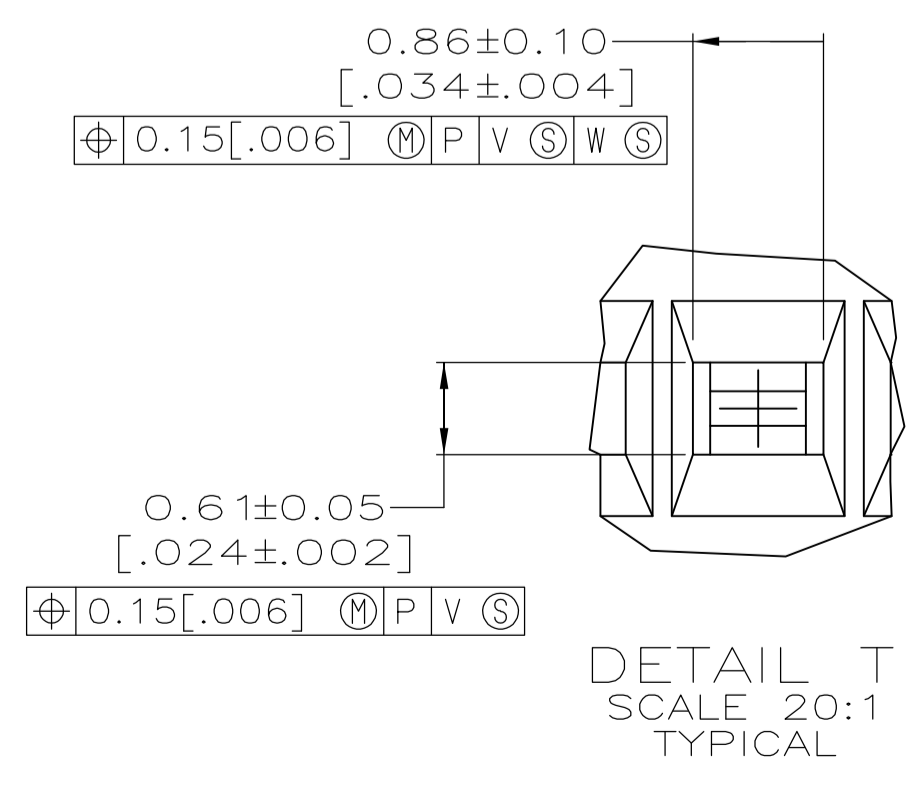
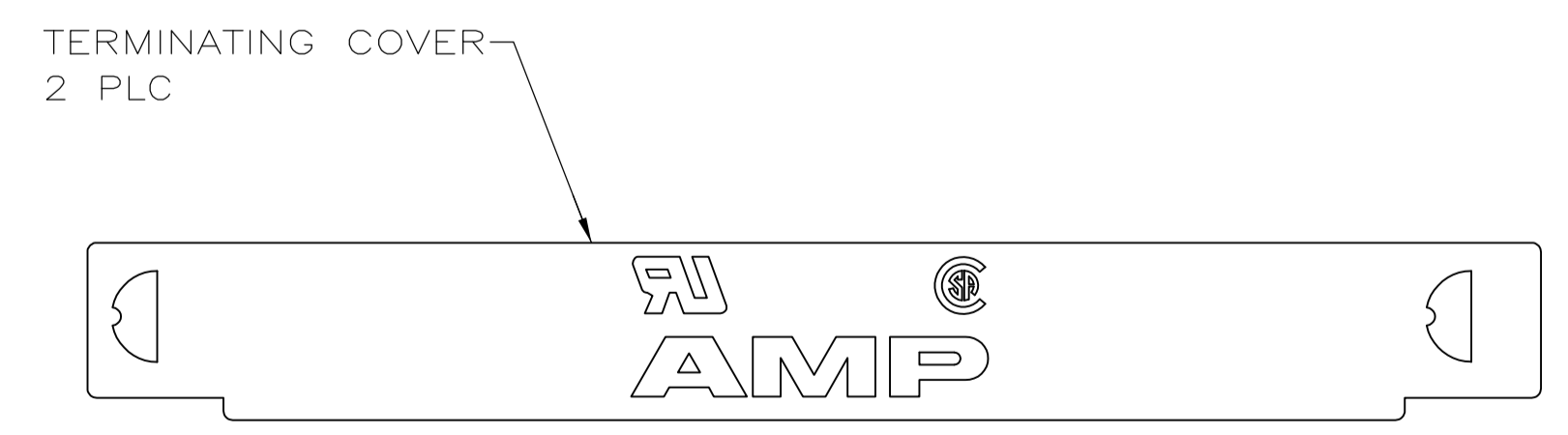
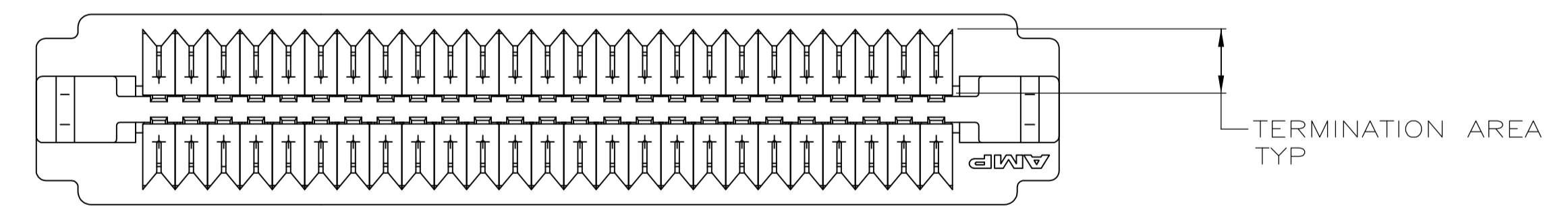


| LOC | | DIST | | REVISIONS | | | |
|-----|-----|---------------------------|-----------|-----------|------|--|--|
| P | LTR | DESCRIPTION | DATE | DMN | APVD | | |
| C | | REVISED PER ECO-11-001216 | 08FEB2011 | CJV | SLB | | |



TERMINATED VIEW



- 1 MATERIAL
 CONTACTS: PHOSPHOR BRONZE.
 SHELL: CARBON STEEL
 HOUSING: POLYESTER, BLACK, UL 94V-0 RATED.
 TERMINATING COVERS: POLYESTER, UL 94V-0 RATED, COLOR-BLACK.
- 2 FINISH
 CONTACTS: EITHER 0.76µm [.000030] MIN GOLD PLATE OR GOLD FLASH OVER
 PALLADIUM NICKEL PLATE, 0.76µm [.000030] MIN TOTAL FOR A LENGTH OF 0.64
 [.025] MIN, 0.13 [.005] MAX FROM MATING END, 1.27µm [.000050] MIN TIN IN
 TERMINATION AREA, ALL OVER 1.27µm [.000050] MIN NICKEL UNDERPLATE OVER
 ENTIRE CONTACT.
 SHELL: 5.08µm [.000200] MIN NICKEL OVER 1.27µm [.000050] MIN COPPER.
- 3 RECOMMENDED WIRE: 28 AWG OR 30 AWG, SOLID OR 7 STRAND. PVC INSULATION,
 REFER TO TABLE BELOW FOR INSULATION DIA.
4. COVERS PACKAGED SEPARATE FROM CONNECTORS IN SAME SHIPPING CONTAINER.

**COPYRIGHT 2005
 TYCO ELECTRONICS CORP
 ALL RIGHTS RESERVED**

| | | | | | | | |
|---|-----------------|--|------------------|--|----------------|---|-----------|
| 0.81-0.91 [.032-.036] DIA | 20.96 [.825] | 51.54 [2.029] | 46.13 [1.816] | 41.91 [1.650] | 7.39 [.291] | 68 | 5786860-7 |
| INSULATION OUTER DIA | G | D | C | B | A | NO OF POSN | PART NO. |
| DIMENSIONS: mm [INCHES] | | TOLERANCES UNLESS OTHERWISE SPECIFIED: | | DIN L VARELA - DOCKS 02-18-05 CHK S. SHUFY 02-18-05 | | Tyco Electronics Corporation Harrisburg, PA 17105-3608 | |
| 0 PLC ± - 1 PLC ± - 2 PLC ± 0.13 [.005] 3 PLC ± - 4 PLC ± - ANGLES ± - | | FINISH | | APVD M. WALMSLEY 02-18-05 NAME | | Tyco Electronics | |
| MATERIAL | | FINISH | | PRODUCT SPEC 108-1228 | | RECEPTACLE CABLE CONNECTOR KIT, UNASSEMBLED, WITH TERMINATING COVER, .050 SERIES, AMPLIMITE | |
| WEIGHT | | SIZE | | APPLICATION SPEC 114-40029 | | RESTRICTED TO | |
| CUSTOMER DRAWING | | SCALE | | DRAWING NO A1 00779 | | REV | |
| SCALE 5:1 | | SHEET 1 OF 1 | | C=5786860 | | REV C | |